

# Supplement to the installation instructions

## Filter-Control-Plus



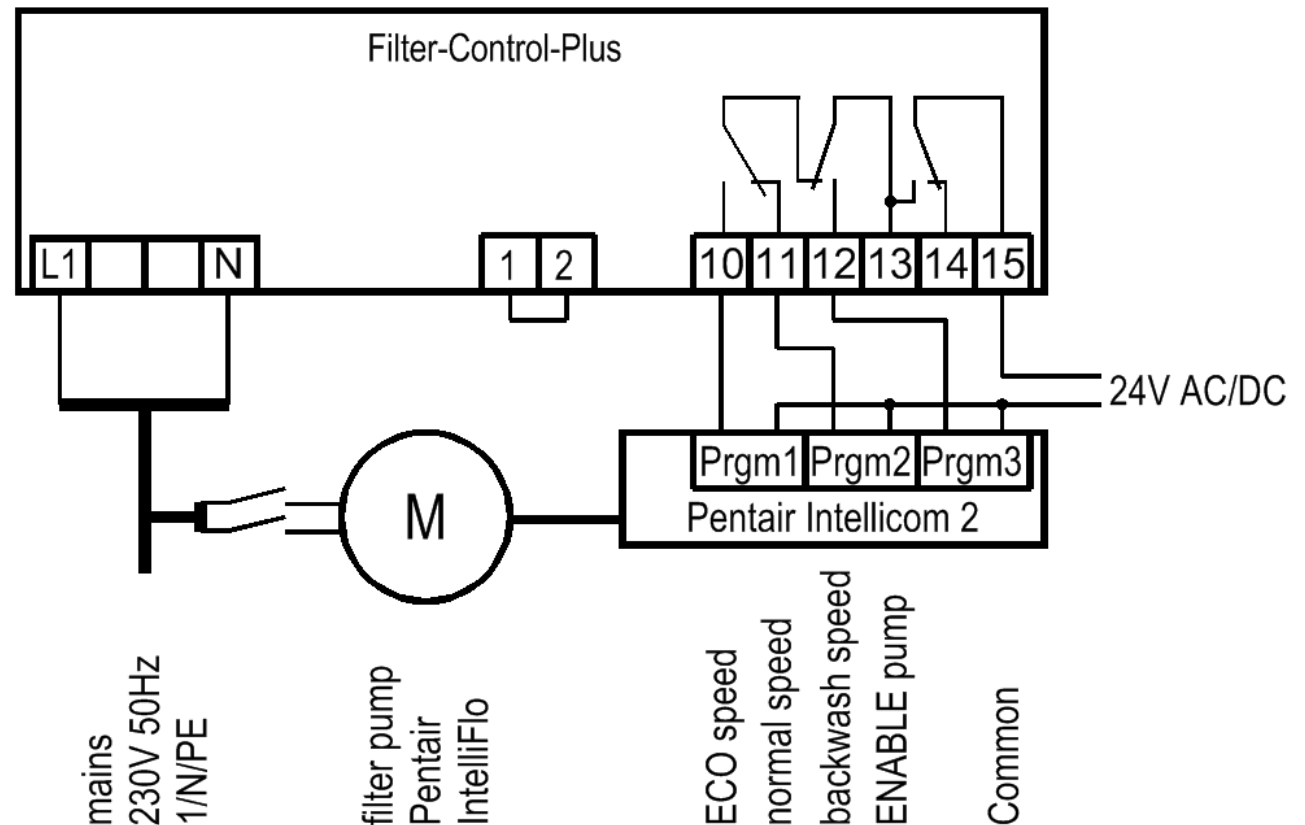
### Mains connection when using an Intellicom-2

An IntelliFlo pump can be controlled by the Filter-Control-Plus using the Pentair Intellicom-2 control. The speed control is connected to terminals 10-15.

The power supply for the pump must be provided separately from the mains and cannot be provided by the Filter-Control-plus. The power supply for the Intellicom-2 must be provided by the customer.

A bridge must be inserted between the two terminals 1 and 2 (winding protection contact).

The operating instructions for the pump must be observed!



**OSI** Hansjürgen Meier

Elektrotechnik und Elektronik GmbH & Co KG  
Eichendorffstraße 6  
D-32339 Espelkamp  
E-Mail: [info@osf.de](mailto:info@osf.de)  
Internet: [www.osf.de](http://www.osf.de)

Subject to changes **OSI** 11/2020